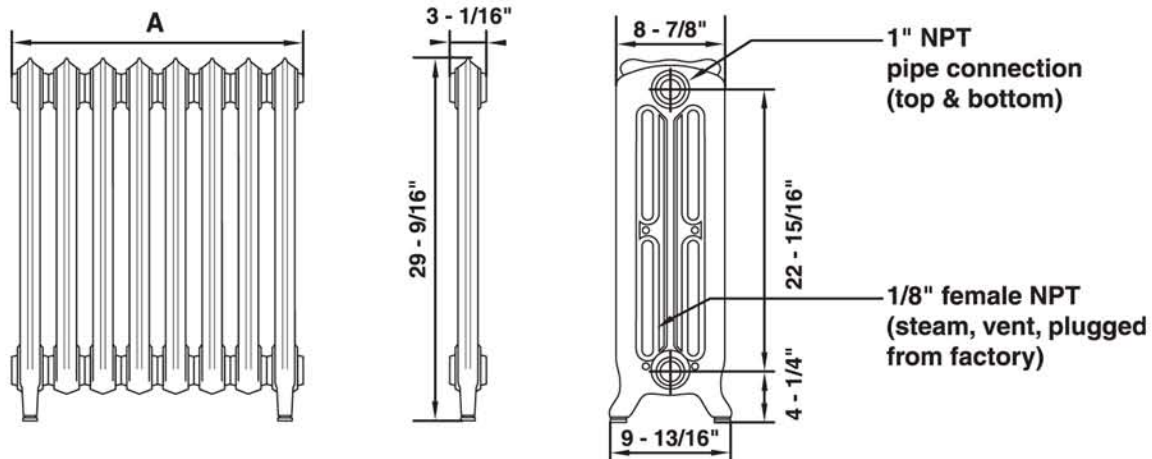


# SPECIFICATIONS



The design of the Classic Radiator allows for easy installation in new or existing hydronic systems. Shipped with steel color finish coat ready to install.



*MODEL NO.	NUMBER OF SECTIONS 3.07" EA.	WIDTH IN INCHES (A)	SQUARE FEET -EDR <sup>©</sup>	WATER OUTPUT BTU/H (180°F AVG. TEMP.)	STEAM OUTPUT BTU/H (215°F AVG. TEMP.)	SHIPPING WEIGHT LBS.
CR-3-CF	3	9.2	9.2	1564	2208	77
CR-5-CF	5	15.4	15.3	2618	3672	129
CR-7-CF	7	21.5	21.4	3655	5136	177
CR-9-CF	9	27.6	27.5	4692	6600	226
CR-5-AF	5-Intermediate	15.4	15.3	2618	3672	129
8074011	End section w/vent	3.1	3.1	524	734	26

- © Heating surface based upon the standard heat emission of 240 BTU per square foot per hour.
- \* Stock sizes available for immediate shipment. Assemble 5 section intermediate with 3, 5, 7 or 9 section stock size to make a custom size.
- End section with vent is also used as intermediate leg support for radiators with more than 16 sections.
- Water Content —0.61 gal/section.
- Output based on room temperature of 70°F.
- Maximum recommended pressure 58 psi water, 15 psi steam.
- Special tool required for disassembly/assembly.
- Rating square ft./section = 3.05



3/4" brass isolation and balancing valves acceptable for steam and water systems.

